

Installation Instructions for Fortress 2" & 3" Fascia Mount Brackets

It is the responsibility of the installer to meet all code and safety requirements, and to obtain all required building permits. The deck and railing installer should determine and implement appropriate installation techniques for each installation situation. The Fortress Company or its distributors shall not be held liable for improper or unsafe installations.

Fortress Posts must always be secured to the deck framing. Fortress Posts should never be attached to only the deck boards.

Read Instructions Completely Before Starting Installation

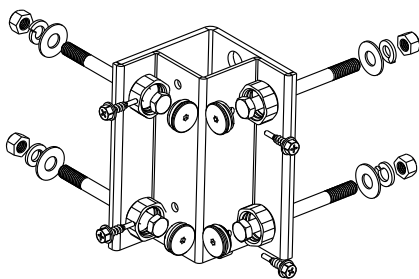
Required Materials

Eye Protection, Fasteners (see instructions), Drill, 3/8" Drill Bit, 9/16 Wrench, 9/16 Socket, 15/64 Drill Bit, 10mm Driver Bit, T-27 Driver Bit, Tape Measure, Wrenches, Fortress Touch Up Paint Pen, Level, Square and Pencil

Fortress Fascia Mount Bracket Fastener Requirements

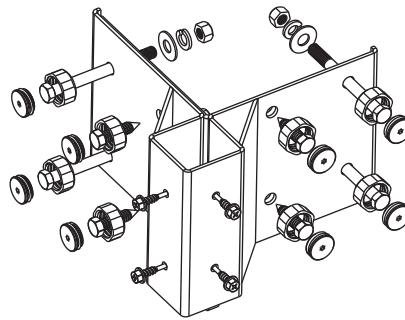
- 3/8" Hex Head Bolts, Nuts and Washers; and 3/8" Lag Bolts (FASTENERS NOT INCLUDED).
- Use Galvanized or Stainless Steel Fasteners
- When installing Fortress Fascia Mount Brackets to a wood deck, use the fasteners shown below for each bracket type.
- When installing Fascia Mount Brackets to concrete, check your local building code for correct anchors.

Inside Corner



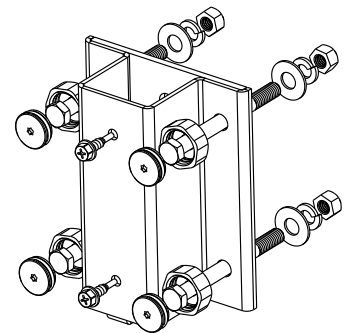
- 4 - 3/8" Hex Bolt
- 4 - 3/8" Flat Washer
- 4 - 3/8" Lock Washer
- 4 - 3/8" Nut
- 4 - #10 Self Drilling Screw (Included)
- 4 - Hex Head Bolt Covers (Included)

Outside Corner

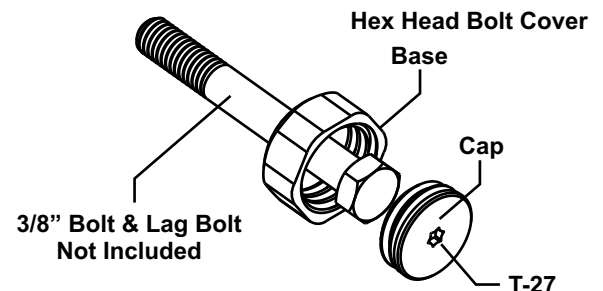
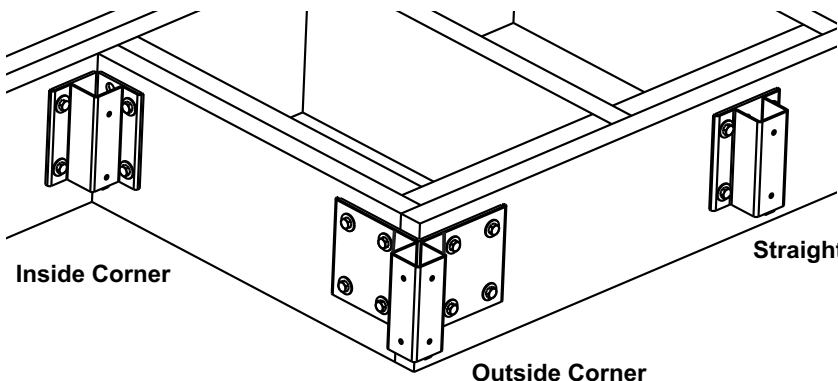


- 4 - 3/8" Hex Bolt
- 4 - 3/8" X 1-1/2" Lag Bolts
- 4 - 3/8" Flat Washer
- 4 - 3/8" Lock Washer
- 4 - 3/8" Nut
- 4 - #10 Self Drilling Screw (Included)
- 8 - Hex Head Bolt Covers (Included)

Straight



- 4 - 3/8" Hex Bolt
- 4 - 3/8" Flat Washer
- 4 - 3/8" Lock Washer
- 4 - 3/8" Nut
- 2 - #10 Self Drilling Screw (Included)
- 4 - Hex Head Bolt Covers (Included)

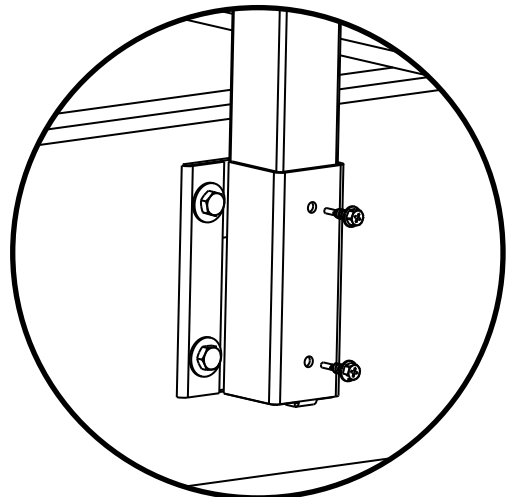
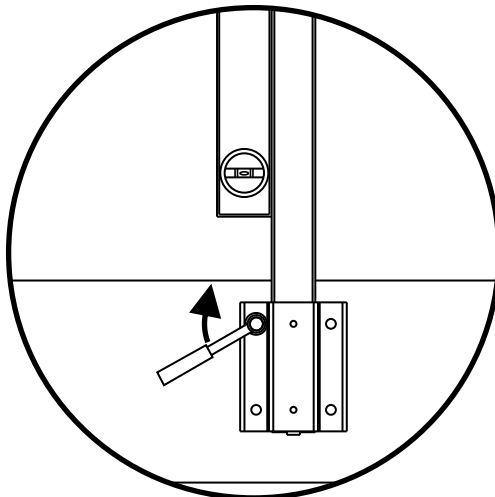
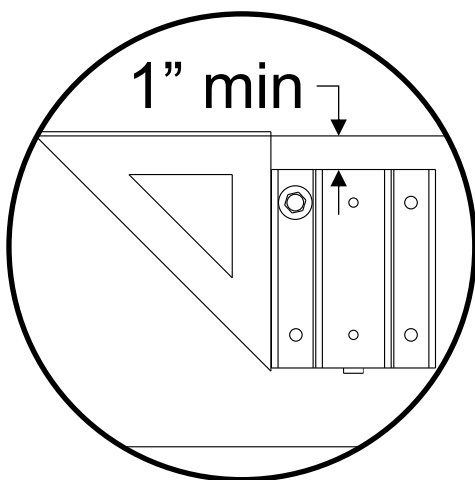
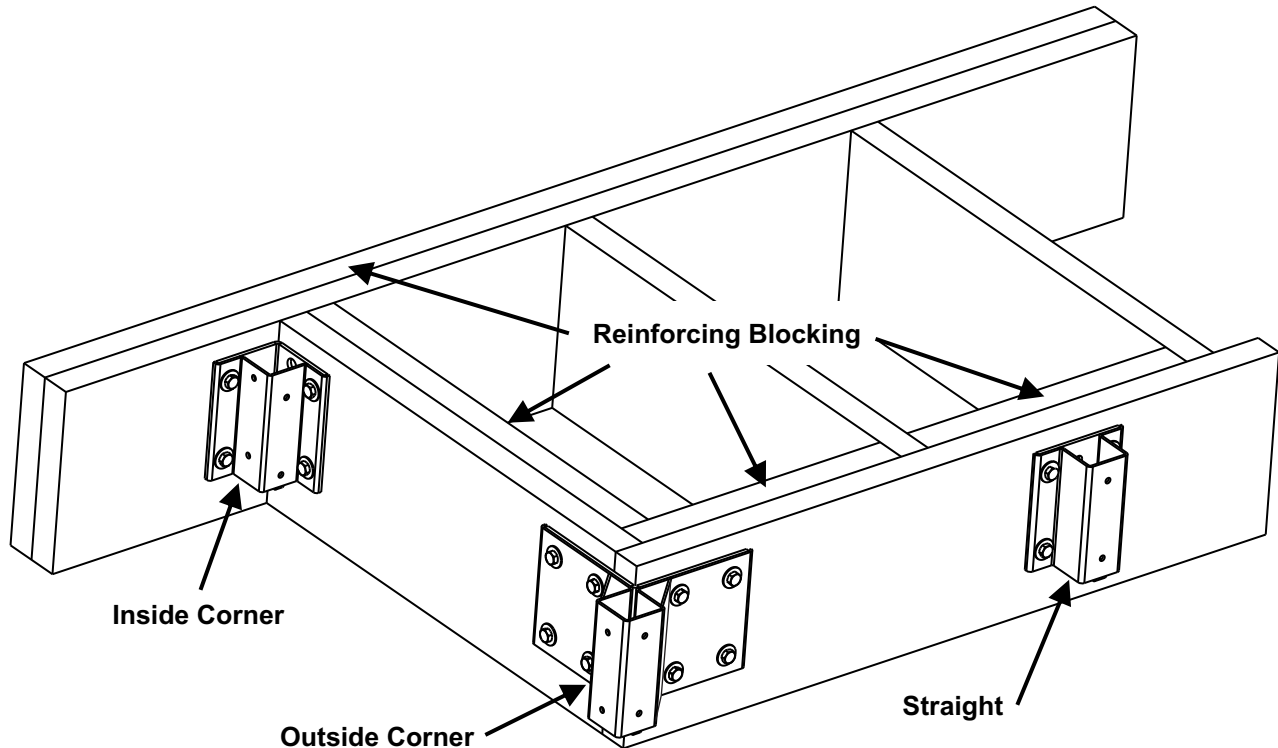


For technical assistance, please email: technicalhelp@fortressrailing.com
Hours of Operation Monday through Friday 8:00 AM to 5:00 PM, CST
Phone: 1-866-323-4766 Fax: 972-644-3720
www.fortressrailing.com

REV012419

Fortress Fascia Mount Bracket Installation

- Always check local building codes for structural requirements.
- Reinforce fascia board with blocking as shown below.
- Fortress Fascia Mount Brackets install flush with the fascia board. If deck boards overhang the edge of the fascia board the deck boards must be notched to fit around the posts. (see notching deck boards pg.4)
- Top edge of Fortress Fascia Mount Brackets should be a minimum 1" from top edge of fascia board.
- Use a speed square to help position Fortress Fascia Mount Brackets perpendicular to deck surface. Mark bolt locations and drill holes for bolts.
- Insert bolts through Fortress Hex Head Bolt Cover Bases and Fortress Fascia Mount Brackets into fascia board.
- Using a speed square, ensure that Fortress Fascia Mount Bracket is perpendicular to deck surface before fully tightening bolts. Make adjustments as necessary.
- Insert Fortress Post until post is resting on the bottom of the Fortress Fascia Mount Bracket.
- Using a level, ensure the Fortress Post is square.
- Secure Fortress Post to Fortress Fascia Mount Bracket with included 10mm self drilling screws.



Notching Deck Board To Fit Around Post

- Deck board overhanging fascia by more than 1/4" will require a square notch cut on deck surface in order to clear post.
- When making the cut leave 1/8" clearance around post.
- Use a Jig Saw to cut notch and file edges when done.

